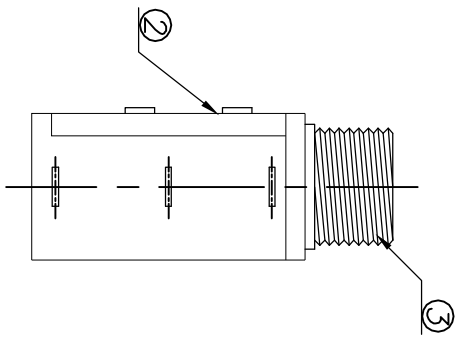


□: Terminal No. ○: Item No.



⑦	Shunt terminal	1	Brass	Cu-Sn-Plating
⑥	Tip spring	1	Phosphor bronze	Cu-Sn-Plating
⑤	Earth Spring	1	Brass	Cu-Sn-Plating
④	Spring	1	spring steel	Ni-Plating
③	Bushing	1	Brass	Ni/Au/Cu-Sn-Plating
②	Cover	1	PBT	
①	Housing	1	PBT	
NO.	DESCRIPTION	QTY	MATERIAL	PLATING

SPECIFICATION

1. Rating : DC 30V 0.5A;
2. Contact resistance: $\leq 30m\Omega$;
3. Insulation resistance: $\geq 100M\Omega$ (DC250V);
4. Withstand voltage: 500VAC;
5. Insertion and extraction force: 3-30N;
6. Life test: 5,000 cycles.

JJP Jen Jia Precision Co., LTD.	
INTENDED USE	TITLE
CUSTOMER	3.5mm PHONE JACK
TOLERANCES	PART NO.
0~6±0.1 X:±1.5'	
6~20±0.2 X:±1'	
20~90±0.3.XX:±0.5	

DRAW NO.	APPRD	Peter
MATERIAL	CHKD	Paul
FINISH	DATE	2009/2/14
SCALE	REV	
1/1	SHEET	1/1
	UNIN	
	mm	

1 2 3 4 5 6 7 8

1 2 3 4 5 6 7 8